



**Your complete cabinet solution.**

# Why choose **PROFOLIO** by American Woodmark.

- In-stock, framed cabinetry solution when price and speed are priority
- Opening price point, with half and full truckload discount program
- Fully assembled and ready to install
- Limited Lifetime Warranty

- Frameless, special order cabinetry with a modern style
- Excellent value with upgraded features, such as soft close glides and hinges
- Fully assembled, ready to install with increased design flexibility
- Limited Lifetime Warranty

- Special order, semi-custom cabinetry to meet the majority of customer needs
- 350+ door cut, color and species combinations
- Free jobsite delivery with no minimums —express manufacturing also available
- Limited Lifetime Warranty

# Program Features

HAMPTON BAY

HAMPTON BAY  
DESIGNER SERIES

American  
WOODMARK PRO

|                                | HB   | HBDS   | AW PRO   |
|--------------------------------|--|--|--|
| # of Door Styles               | 4 door styles plus unfinished*   | 4  | 14   |
| # of Finishes                  | 6 finishes plus unfinished*  | 7  | 25   |
| Consumer & Store Order Options | Stock & online**, SO/EO (2020), Quote Center (where available in-stock)  | Online, SO (2020), Quote Center  | SO (2020), Quote Center (available for most popular doors, finishes and SKUs)        |
| Lead Time                      | Online ships in 2 days, EO and Quote Center ships in 2 weeks   | Ships in 2 weeks   | Delivers in 3–4 weeks<br>Express Delivery available (additional fees apply)          |
| Jobsite Delivery               | Delivers free to the jobsite in 3 weeks (applies to ½ and full truckloads when ordered through the Quote Center only)  | THD.com only \$99<br>Delivers free to the jobsite in 3 weeks (applies to 1/2 and full truckloads when ordered through the Quote Center only) | Free jobsite delivery included with Woodmark PRO                                     |
| Warranty                       | Limited lifetime   | Limited lifetime   | Limited lifetime   |
| Volume Discounts               | 10% off for 10+ cabinets (store, EO, & Quote Center)<br>20% off for 75+ cabinets (1/2 truckload) – applies to QC orders only<br>25% off for 150+ cabinets (full truckload) – applies to QC orders only |  | Volume discounts available   |
| <b>Construction</b>            |  |  |  |
| Construction Type              | Framed   | Frameless  | Framed<br>Plywood upgrade available  |
| # of SKUs per Finish           | 105  | 176  | 1,500+   |
| Standard Drawer Construction   | Ball-bearing, hardwood drawer box  | Full access soft-close & dovetail drawer box   | Full access soft-close & dovetail drawer box with plywood bottoms                    |
| Hinges & Glides                | Fully concealed and adjustable   | Soft-close doors & drawers   | Soft-close on doors, drawers and rollouts; option to select non-soft-close if needed |
| <b>Service</b>                 |  |  |  |
| Customer Care                  | 1.888.578.4009   | 1.800.230.5661   | 1.800.677.8182   |
| PRO Customer Care              | 1.855.HDPRO44   hdpro@woodmark.com   |  |  |
| Website                        | www.hamptonbaycabinets.com   | www.hamptonbaykitchens.com   | www.woodmarkcabinetry.com  |

\*Unfinished product specifications and SKU listing vary \*\*Available in-stock and online. Availability may vary by market. +Available In-Stock and online. Availability may vary by market. \*Unfinished product specifications and SKU listing vary.

# Purchasing Made Easy for Pros

|                      | HAMPTON BAY                   | HAMPTON BAY DESIGNER SERIES | WOODMARK PRO  |
|----------------------|-------------------------------|-----------------------------|---|
| In-Stock*            | ■                             |                             |   |
| HomeDepot.com*       | ■                             | ■                           |   |
| Quote Center         | ■<br>where available in-stock | ■                           | ■<br>available for most popular<br>doors, finishes and SKUs |
| Special Order (2020) | ■                             | ■                           | ■   |

Look what you can do with **PROFOLIO**.

American Woodmark's **PROFOLIO** lineup offers cabinetry solutions for the whole home – kitchens, bathrooms, work spaces, utility rooms and more. Our collections offer the styles your customers want, with the functions they need, at a price they can afford.

---

### Shaker

---

Satin White RTF  
■ Full overlay

Dove Gray RTF  
■ Full overlay

Brindle  
■ Full overlay

Java  
■ Full overlay

### Hampton

---

### Unfinished



Satin White RTF  
■ Full Overlay

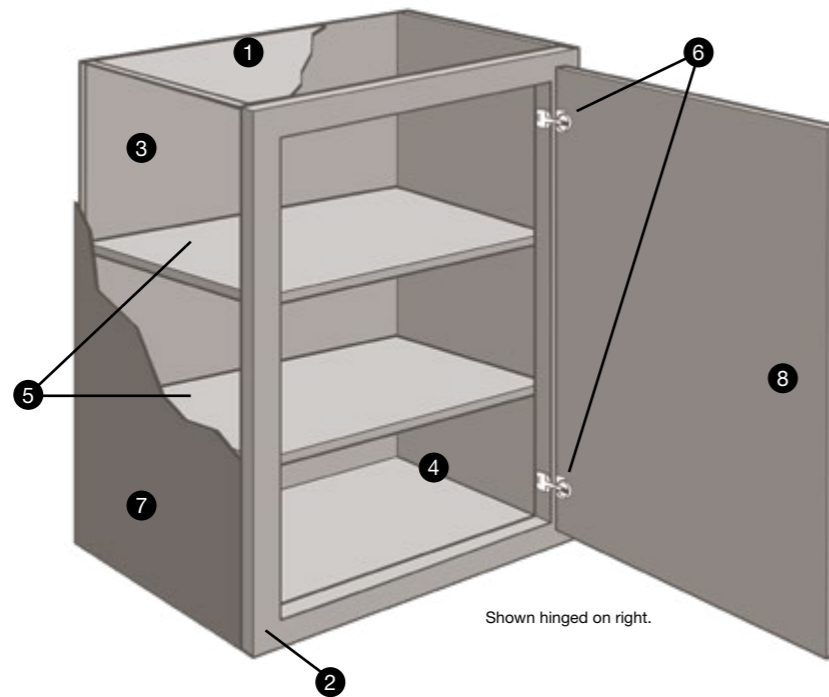
Natural Hickory  
■ Partial Overlay

Medium Oak  
■ Partial Overlay

Unfinished  
■ Partial Overlay

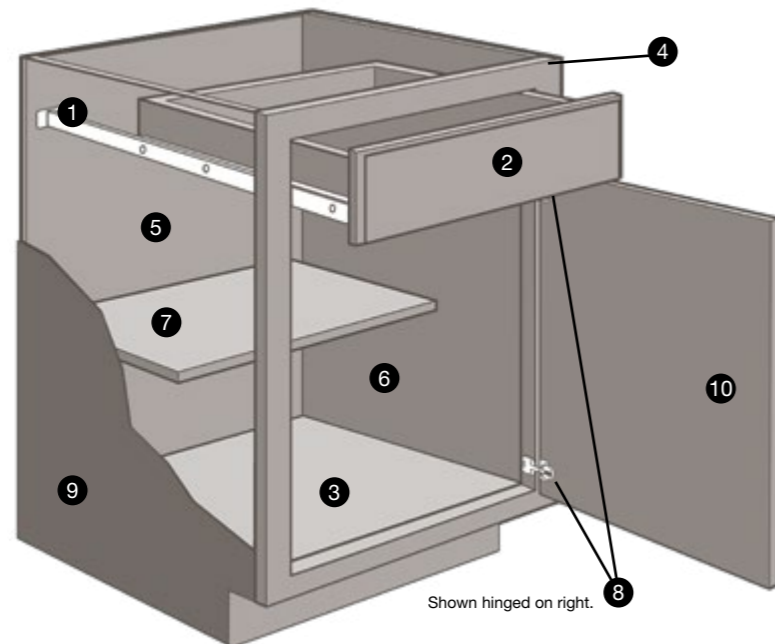


# Construction – Hampton Bay



## Wall Cabinets

- ❶ **Top/Bottom Panels:** 3/8" engineered wood fully encapsulated in the face frame, back and side panels.
- ❷ **Face Frame:** Pocket screw construction with 3/4" thick, 1½" wide material.
- ❸ **Back Panel:** Full 3/8" back panel fully encapsulated into top and bottom panels for strength.
- ❹ **Interiors:** Natural maple laminate finish on engineered wood.
- ❺ **Shelves:** 3/4" thick adjustable shelves with metal shelf pins.
- ❻ **Hinges:** Fully concealed and adjustable.
- ❼ **End Panels:** Finished cabinetry – 1/2" engineered wood with laminated exterior to match cabinet finish. Unfinished cabinetry – 1/2" engineered wood with raw exterior.
- ❽ **Door:** Reversible door on single-door cabinets for left or right opening. Hinged on the left from the factory. Double door cabinets are full-access, no center stile.



## Base Cabinets

- ❶ **Drawer Glides:** Finished cabinetry – Ball-Bearing Unfinished cabinetry – Epoxy.
- ❷ **Drawer Box:** Hardwood 4-sided drawer box with fully encapsulated bottom panel.
- ❸ **Bottom Panels:** 3/8" engineered wood fully encapsulated in the face frame, back and side panels.
- ❹ **Face Frame:** Pocket screw construction with 3/4" thick, 1½" wide material.
- ❺ **Back Panel:** Full 3/8" hardboard with a natural maple laminate interior. Sink bases must be cut for plumbing access.
- ❻ **Interiors:** Natural maple laminate finish on engineered wood.
- ❼ **Shelf:** 3/4" thick adjustable half-depth shelf.
- ❽ **Hinges:** Fully concealed and adjustable.
- ❹ **End Panels:** Finished cabinetry – 1/2" engineered wood with laminated exterior to match cabinet finish. Unfinished cabinetry – 1/2" engineered wood with raw exterior.
- ❽ **Door:** Reversible door on single-door cabinets for left or right opening. Hinged on the left from the factory. Double door cabinets are full-access, no center stile.

# Collections – Hampton Bay Designer Series

**Melvorn** —————

**Elgin** —————

White RTF

Heron Gray RTF

Storm Gray RTF

White RTF

Heron Gray RTF

**Edgeley** —————

**Soleste**

White RTF

Glacier RTF

Driftwood RTF

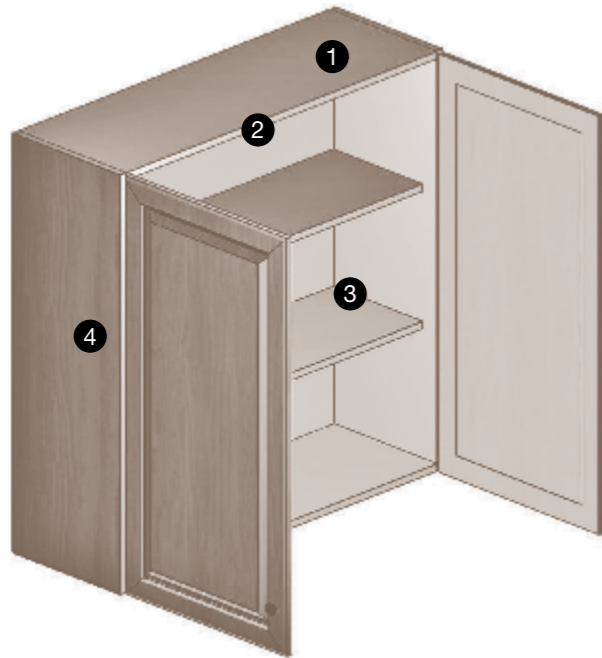
Thunder RTF

Spice



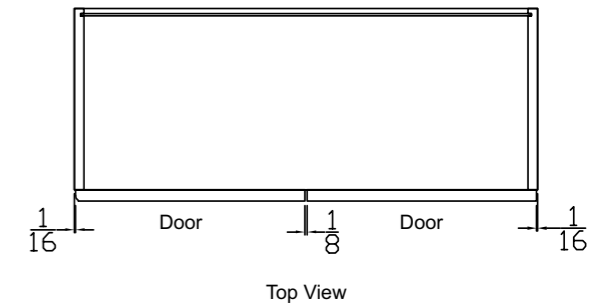
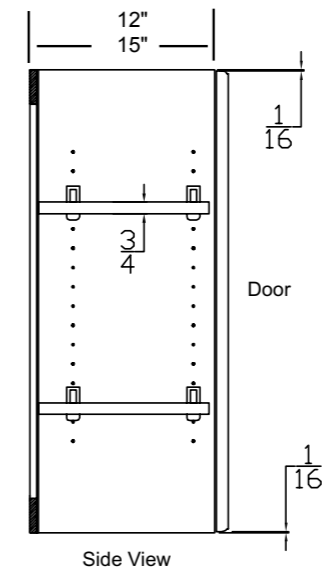


# Construction – Hampton Bay Designer Series

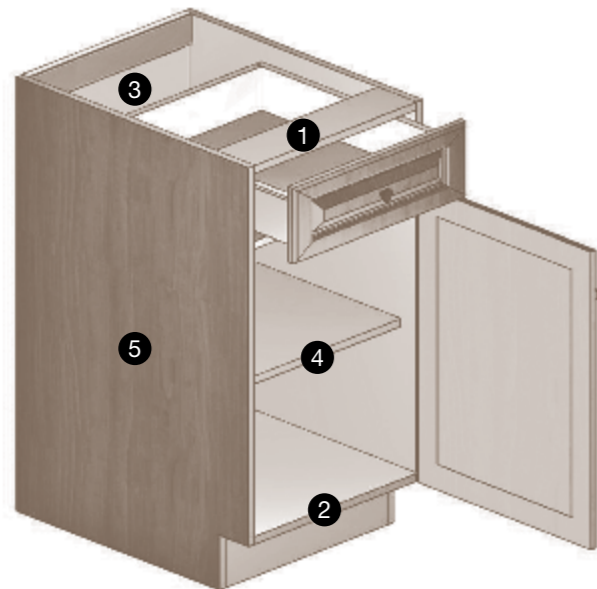


## Wall Cabinets

- 1 **Top/Bottom Panels:** 3/4" laminated furniture board.
- 2 **Back Panel:** 1/4" laminated furniture board with 4" x 1/2" concealed furniture board mounting rails top and bottom. Cabinets 36" and wider will be drilled for center shelf supports.
- 3 **Shelves:** Fully adjustable 3/4" laminated furniture board. Cabinets 21" tall and shorter do not include adjustable shelves. Cabinets 24" tall include one shelf and two hinges. Cabinets 30" and 36" tall include two adjustable shelves and two hinges. Cabinets 42" tall include three adjustable shelves and three hinges.
- 4 **End Panels:** 5/8" laminated furniture board. All finished ends must be specified to match the door finish. If not specified, the ends will be natural maple laminate or white laminate. Finished ends may be specified to a matching laminate or matching real wood veneer.

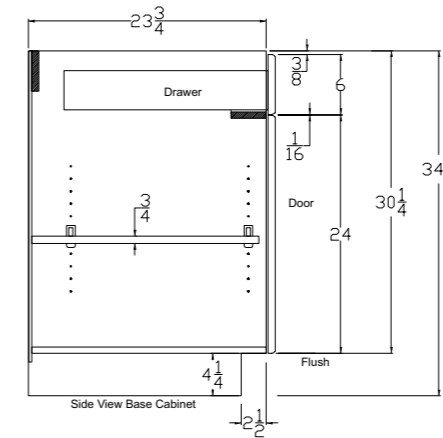


**Note:** Any cabinet with a matching interior will be constructed (top, bottom, back, shelves and sides) from 5/8" material.

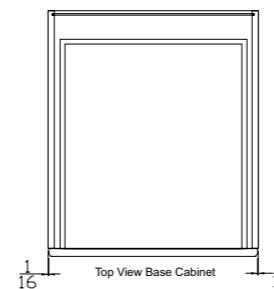
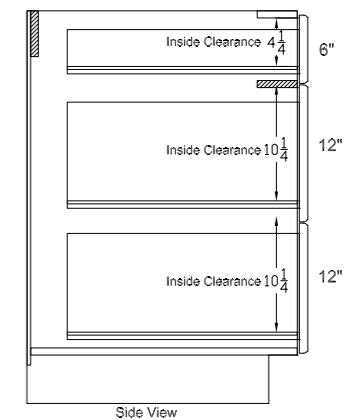


## Base Cabinets

- 1 **Top Panel:** 5/8" plywood rails.
- 2 **Bottom Panel:** 5/8" laminated furniture board.
- 3 **Back Panel:** 1/4" laminated furniture board with 4" x 5/8" plywood mounting rail.
- 4 **Shelf:** Fully adjustable 3/4" laminated furniture board.
- 5 **End Panels:** 5/8" laminated furniture board. All finished ends must be specified to match the door finish. If not specified the ends will be natural maple laminate or white laminate. Finished ends may be specified to a matching laminate or matching real wood veneer.



### 3 Drawer Stack



# Collections – Woodmark PRO

We offer more choices with a wide range of styles from traditional to contemporary.

Savannah°

- Full overlay mitered
- Raised panel\*

Portola°

- Full overlay
- Raised panel\*

Westerly

- Full overlay
- Raised panel\*

MacArthur°

- Full overlay mitered
- Recessed panel\*

Brookland°

- Full overlay mitered
- Recessed panel\*

Adelaide

- Full overlay
- Recessed panel\*

Garner™

- Full overlay mitered
- Recessed panel\*

Reading°

- Full overlay, with 3" frame
- Recessed Shaker panel\*

Leesburg°

- Full overlay, with 2-1/4" frame
- Recessed Shaker panel\*

San Mateo°

- Partial overlay
- Recessed Shaker panel

Shorebrook°

- Full overlay
- Recessed beadboard panel\*

Hanover°

- Full overlay
- Slab veneer panel with solid wood edge banding

Glen Ellen°

- Partial overlay mitered
- Recessed panel
- Only available in Duraform

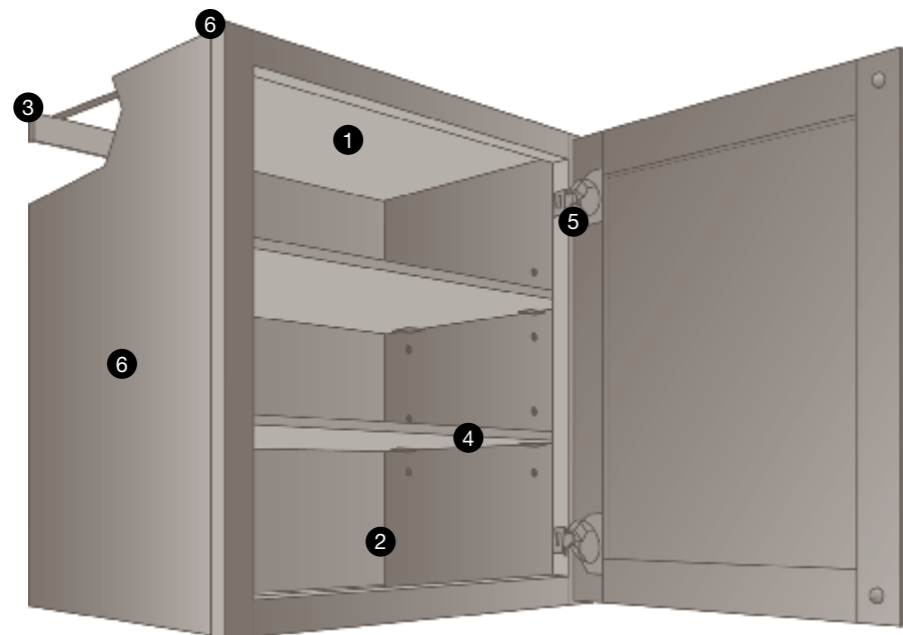


# Finishes – Woodmark PRO

|             | PAINTED |              |         |                |        |             |       |         |      |      |      |       | MAPLE |       |        |       |         |       | CHERRY |       |      | DURAFORM® |        |       |          |        |       |  |
|-------------|---------|--------------|---------|----------------|--------|-------------|-------|---------|------|------|------|-------|-------|-------|--------|-------|---------|-------|--------|-------|------|-----------|--------|-------|----------|--------|-------|--|
|             | LINEN   | PEWTER GLAZE | VANILLA | BISCOTTI GLAZE | HARBOR | EMBER GLAZE | STONE | BOULDER | SAGE | MIST | NAVY | BLACK | RYE   | SPICE | COGNAC | LATTE | TRUFFLE | SLATE | AMBER  | SLATE | JAVA | LINEN     | HARBOR | STONE | ESPRESSO | BREEZE | DRIFT |  |
| Savannah*   |         |              |         |                |        |             |       |         |      |      |      |       |       |       |        |       |         |       |        |       |      |           |        |       |          |        |       |  |
| Portola*    |         |              |         |                |        |             |       |         |      |      |      |       |       |       |        |       |         |       |        |       |      |           |        |       |          |        |       |  |
| Westerly    |         |              |         |                |        |             |       |         |      |      |      |       |       |       |        |       |         |       |        |       |      |           |        |       |          |        |       |  |
| MacArthur*  |         |              |         |                |        |             |       |         |      |      |      |       |       |       |        |       |         |       |        |       |      |           |        |       |          |        |       |  |
| Brookland*  |         |              |         |                |        |             |       |         |      |      |      |       |       |       |        |       |         |       |        |       |      |           |        |       |          |        |       |  |
| Adelaide    |         |              |         |                |        |             |       |         |      |      |      |       |       |       |        |       |         |       |        |       |      |           |        |       |          |        |       |  |
| Garner*     |         |              |         |                |        |             |       |         |      |      |      |       |       |       |        |       |         |       |        |       |      |           |        |       |          |        |       |  |
| Reading*    |         |              |         |                |        |             |       |         |      |      |      |       |       |       |        |       |         |       |        |       |      |           |        |       |          |        |       |  |
| Leesburg*   |         |              |         |                |        |             |       |         |      |      |      |       |       |       |        |       |         |       |        |       |      |           |        |       |          |        |       |  |
| San Mateo*  |         |              |         |                |        |             |       |         |      |      |      |       |       |       |        |       |         |       |        |       |      |           |        |       |          |        |       |  |
| Shorebrook* |         |              |         |                |        |             |       |         |      |      |      |       |       |       |        |       |         |       |        |       |      |           |        |       |          |        |       |  |
| Hanover     |         |              |         |                |        |             |       |         |      |      |      |       |       |       |        |       |         |       |        |       |      |           |        |       |          |        |       |  |
| Glen Ellen* |         |              |         |                |        |             |       |         |      |      |      |       |       |       |        |       |         |       |        |       |      |           |        |       |          |        |       |  |

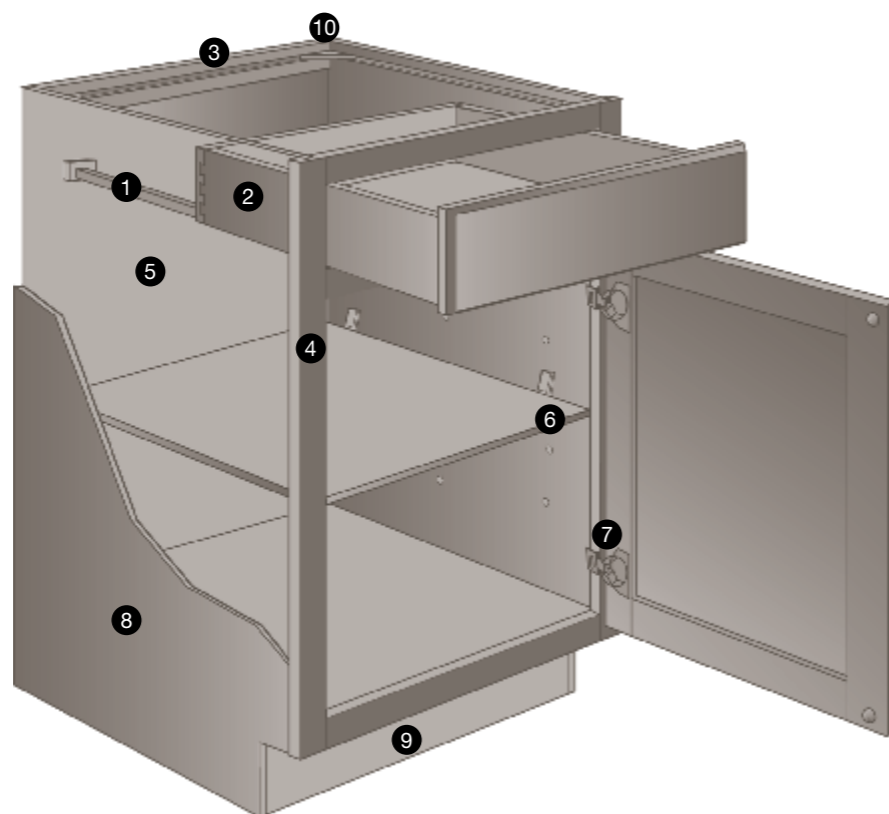


# Construction – Woodmark PRO



## Wall Cabinets

- ① **Top/Bottom Panels:** 1/2" structural hanging rail. 1/2" plywood top and bottom options.
- ② **Face Frame:** 3/4" x 1 1/8" hardwood, solid, kiln-dried face frame.
- ③ **Back Panel:** 1/8" hardboard substrate captured back.
- ④ **Shelf:** 3/4" engineered wood shelving with edge banding, metal shelf rests and adjustable shelf holes. 3/4" thick plywood shelving with edge banding option.
- ⑤ **Hinges:** Hidden Hinges® with CushionClose®. 6-way adjustable hinges.
- ⑥ **End Panels:** 1/2" engineered wood sides with TuffTech® finish. 1/2" plywood sides end option. 3/4" plywood sides furniture end option.



## Base Cabinets

- ① **Drawer Glides:** Full Access Hidden Glides® System with CushionClose®
- ② **Drawer Box:** Adjustable hardwood drawer front with 5/8" dovetail box and plywood bottom.
- ③ **Top Panel:** 3/4" hardwood hanging rail. 1/2" plywood top and bottom options.
- ④ **Face Frame:** 3/4" x 1 1/8" hardwood, solid, kiln-dried face frame.
- ⑤ **Back Panel:** 1/8" hardboard substrate captured back.
- ⑥ **Shelf:** 3/4" engineered wood shelving with edge banding, and base locking shelf rests. 3/4" thick plywood shelving with edge banding option.
- ⑦ **Hinges:** Hidden Hinges® with CushionClose®. 6-way adjustable hinges.
- ⑧ **End Panels:** 1/2" engineered wood sides with TuffTech® finish. 1/2" plywood sides end option. 3/4" plywood sides furniture end option.
- ⑨ **Toe Kick:** 1/2" engineered wood inset toe kick. 1/2" plywood inset toe kick option.
- ⑩ **Corner Block**

# Construction – Woodmark PRO

## Standard Construction

- 1/2" engineered wood sides with TuffTech® finish.
- Full Access Hidden Glides® System.
- 3/4"-thick engineered wood shelving with edge banding.
- Adjustable drawer front with 5/8" dovetail box and plywood bottom.
- 1/2" engineered wood inset toe kick.

## Quality Features

- Full Access Hidden Glides® System.
- Hardwood drawers with dovetail construction.
- 6-way adjustable hinges.
- Kiln-dried face frames.

## Plywood Ends Option

- 1/2" plywood sides.

## All Plywood Construction Option

- 1/2" plywood sides, floors and cabinet tops.
- 3/4"-thick plywood shelving with edge banding.
- 1/2" plywood inset toe kick.

All Plywood Construction refers to the cabinet box components and shelving as detailed in our specification guide ([woodmarkcabinetry.com/specguide.asp](http://woodmarkcabinetry.com/specguide.asp)). Plywood components meet the Decorative Hardwoods Association's standards for hardwood and decorative plywood ([www.decorativehardwoods.org](http://www.decorativehardwoods.org)).



## American Woodmark PRO Drawer Construction

Cabinets utilize natural finish dovetail hardwood drawers with plywood bottoms and Full Access Hidden Glides® or Full Access CushionClose® Glides. All drawers meet KCMA load standards of 15 pounds per square foot.

# Options for Woodmark PRO



## Inverted Frame

By inverting the frame, the drawer is placed at the bottom of the cabinet. This helps raise internal organizational items and also allows standard cabinets to be used as sink bases when needed.



## Increased/Reduced Depth

Adding or reducing depth in one-inch increments creates a custom look and more design flexibility. This can be helpful in accommodating larger items or designing around obstructions.



## Furniture Ends

The 1/4" face frame reveal is removed for a clean, furniture look on exposed cabinet ends and islands. This makes molding wraps easier and saves installation time.



## Recessed Toe Kick

Create a more finished look to the end of a cabinet run or an island with this important ergonomic element.

## Keep it Quiet with CushionClose®

Enjoy the whisper-quiet luxury of a complete CushionClose kitchen. With smooth, self-closing performance, CushionClose reduces slams, noise and finger pinching. This unique technology comes automatically on all doors, drawers and roll outs, unless de-selected as an option.



## Drawers



## Roll Outs

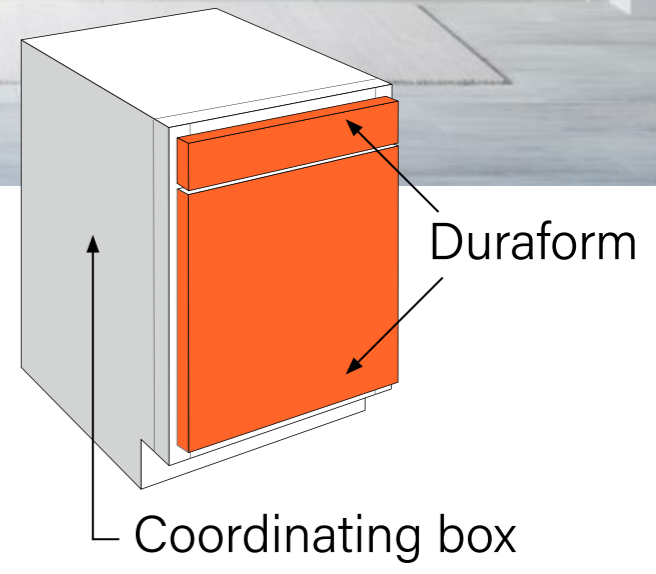
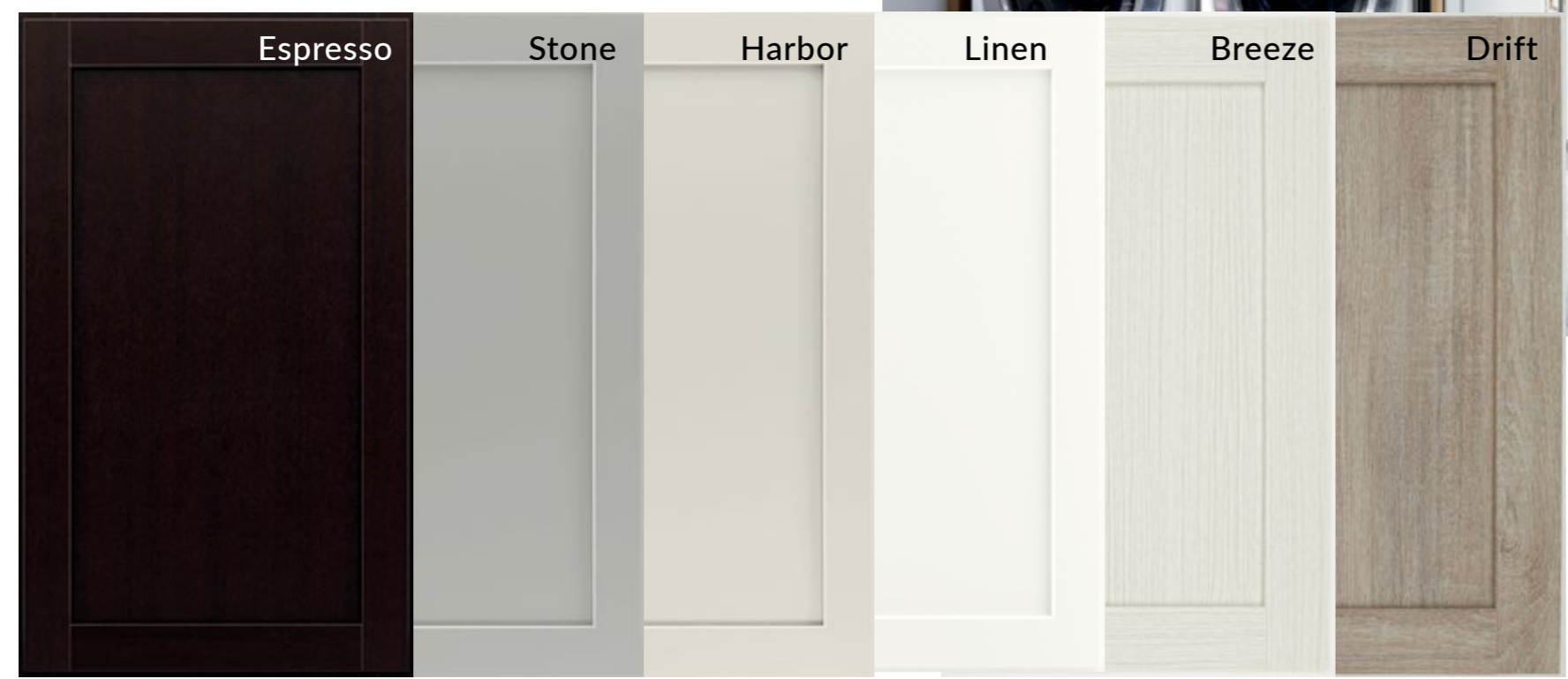


## Doors

# Options for Woodmark PRO

## Duraform™

**Duraform®** uses foils and coatings bonded to warp-resistant composite wood. Advanced technology provides consistent finishes that are durable, easy to clean and resistant to heat, humidity and fading. Available in Espresso, Stone, Harbor, Linen, Breeze on coordinating Linen box, and Drift on coordinating Harbor box.



# Accessibility

To support the growing number of homeowners remodeling for current and future needs, we've created an accessible height modification that reduces toe kicks to allow for ADA-compliant work surface heights. This alteration is ideal for pros working on projects with ADA requirements and customers looking to "age in place" by living longer in their homes.

## Product Highlights

- The Accessible Height option improves function and access for all – regardless of age or ability
- Base Cabinets, Sink Base Cabinets, and Drawer Base Cabinets 32 ½" high provide lower work surfaces
- HUD Certified

NOTE: Product specifications are available as a digital copy on Designer Resources at [resources.woodmarkcabinetry.com](https://resources.woodmarkcabinetry.com).



All American Woodmark products meet or exceed the stringent performance requirement established by the Kitchen Cabinet Manufacturers Association (KCMA). The KCMA Performance & Construction Standards ANSI/KCMA A161.1 is recognized & over-seen by the American National Standards Institute. This standard also meets the HUD specification 4910.1 Paragraph 611-1.1, Minimum Property Standards for Housing.

Other new offerings include additional plumbing skirt cabinets, Adaptable Sink Base Kits, and drop-in drawer work surfaces.

## New 34.5" Tall Plumbing Skirt

BPS3034 UD  
BPS3634 UD

## New Adaptable Sink Base Kit

### 30" Wide

ASB3034 KIT (W3024 BUTT CFO)  
ASB3032 KIT (W3021 BUTT CFO)

### 36" Wide

ASB3634 KIT (W3624 BUTT CFO)  
ASB3632 KIT (W3621 BUTT CFO)



## Drawer Work Surface

DWS21





# Decorative Accents and Moldings



See our full decorative accents and moldings selection at [WoodmarkCabinetry.com](https://www.WoodmarkCabinetry.com).

---

# Storage and Organization Solutions



See our full storage and organization solutions selection at [WoodmarkCabinetry.com](http://WoodmarkCabinetry.com).



# Accessories

## Accent Doors and Glass Insert



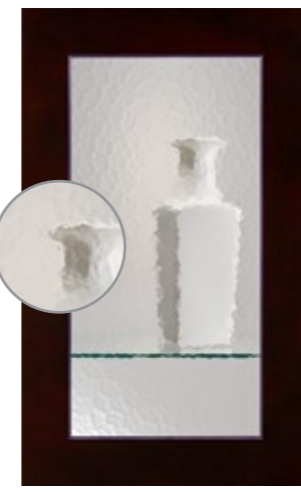
CLEAR GLASS



DERBYSHIRE



MEREDITH



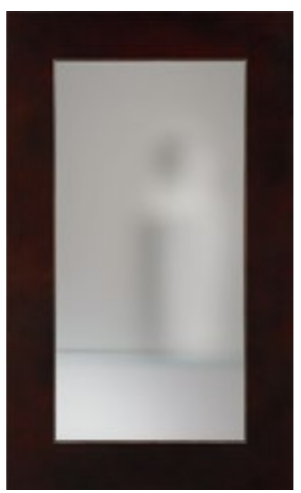
IMPRESSION



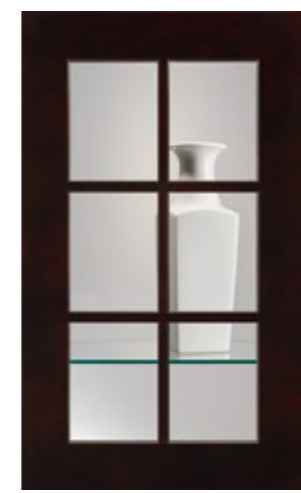
RIBBED



FROSTED GLASS



FROSTED ASH



MULLION FRAME



# Accessories

## Knobs & Pulls - Tier 1

Accentuate your style with quality hardware. Grouped in three price tiers, and available in a variety of looks and colors, it's easy to find just the right piece at just the right price.

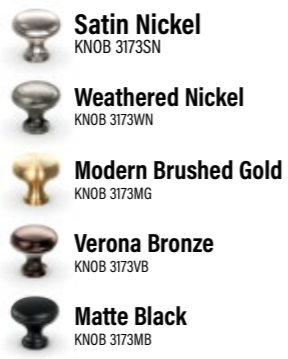
### Classic Knobs and Pulls



**Satin Nickel**  
PULL 3172SN

**Verona Bronze**  
PULL 3172VB

**Matte Black**  
PULL 3172MB



**Satin Nickel**  
KNOB 3173SN

**Weathered Nickel**  
KNOB 3173WN

**Modern Brushed Gold**  
KNOB 3173MG

**Verona Bronze**  
KNOB 3173VB

**Matte Black**  
KNOB 3173MB

### Bow Pull - 6 3/16"



**Polished Chrome**  
PULL 3128PC

**Satin Nickel**  
PULL 3128SN

**Modern Brushed Gold**  
PULL 3128MG

**Brushed Copper**  
PULL 3128CP

**Matte Black**  
PULL 3128MB

### T-Bar Pull - 5 5/16"



**Polished Chrome**  
PULL 4701PC

**Satin Nickel**  
PULL 4701SN

**Modern Brushed Gold**  
PULL 4701MG

**Brushed Copper**  
PULL 4701CP

**Matte Black**  
PULL 4701MB

### Ringed Arch Knobs and Pulls



**Satin Nickel**  
PULL 3672SN

**Verona Bronze**  
PULL 3672VB

**Matte Black**  
PULL 3672MB



**Satin Nickel**  
KNOB 3673SN

**Verona Bronze**  
KNOB 3673VB

**Matte Black**  
KNOB 3673MB

### Twisted Crescent Pull



**Satin Nickel**  
PULL 3122SN

**Verona Bronze**  
PULL 3122VB

**Matte Black**  
PULL 3122MB

### T-Bar Knob



**Polished Chrome**  
KNOB 4703PC

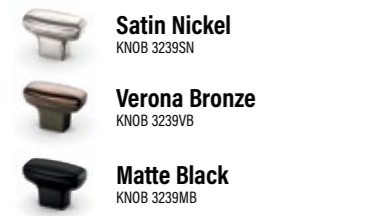
**Satin Nickel**  
KNOB 4703SN

**Modern Brushed Gold**  
KNOB 4703MG

**Brushed Copper**  
KNOB 4703CP

**Matte Black**  
KNOB 4703MB

### Toggle Knob



**Satin Nickel**  
KNOB 3239SN

**Verona Bronze**  
KNOB 3239VB

**Matte Black**  
KNOB 3239MB

### Button Knob



**Satin Nickel**  
KNOB 3213SN

**Verona Bronze**  
KNOB 3213VB

**Matte Black**  
KNOB 3213MB

### Tab Pull - 1 3/4"



**Polished Chrome**  
PULL 1050PC

**Satin Nickel**  
PULL 1050SN

**Modern Brushed Gold**  
PULL 1050MG

**Brushed Copper**  
PULL 1050CP

**Matte Black**  
PULL 1050MB

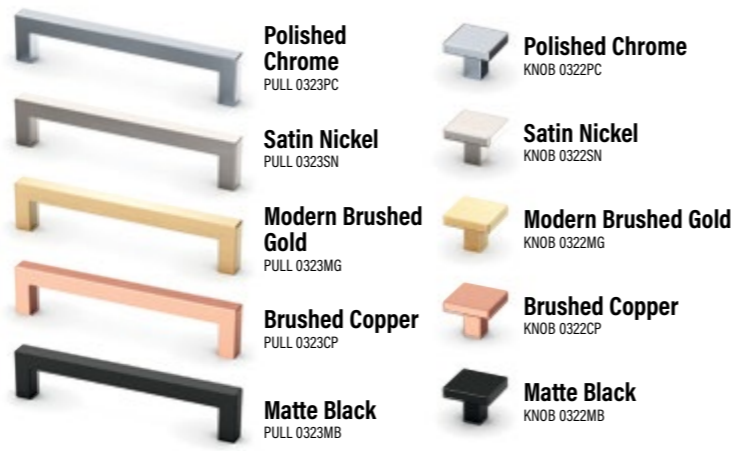
# Accessories

## Knobs & Pulls - Tier 2

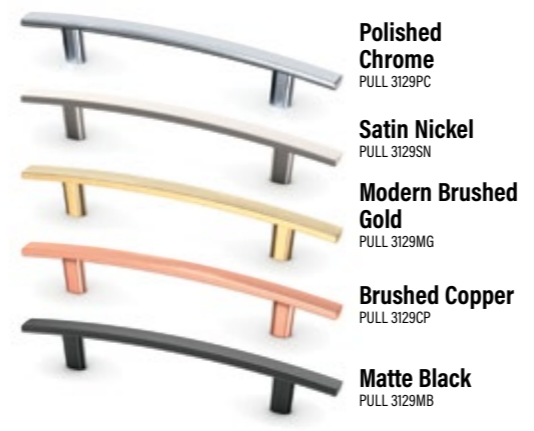
### Rectangular Knobs and Pulls



### Tempo Knobs and Pulls



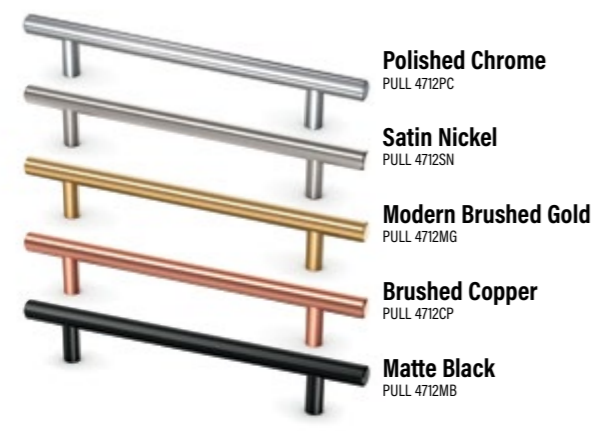
### Bow Pull - 7 13/16"



### Beaded Pull



### T-Bar Pull - 8 5/8"



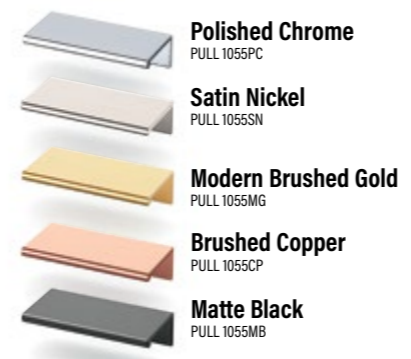
### Stamped Knob



### Cup Pull



### Tab Pull - 3"



### Halo Knob



# Accessories

## Knobs & Pulls - Tier 3

### Antic Knobs and Pulls



### Briolette Knobs and Pulls



### Radiant Knobs and Pulls



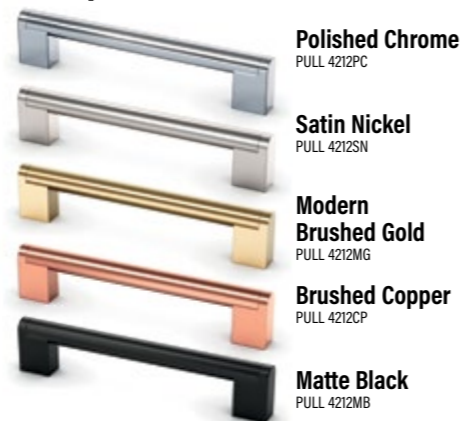
### Tab Pull - 6"



### Marquise Pull - 6 7/8"



### Marquise Pull - 5 9/16"



### T-Bar Pull - 12 7/16"



### Trillion Knobs and Pulls



# Woodmark knows Pros. *Rely on the experts.*

We know that every Pro is different, and every Pro project requires different resources. Our versatile cabinetry lines of Hampton Bay, Hampton Bay Designer Series and Woodmark PRO give you the style, prices and construction you need to get your specific job done, and done right.



We also know that two of the most important criteria for you when buying are everyday low prices that do not depend on limited promotions and timing. You know a good deal when you see one, which is why our **PROFOLIO™** program offers one of the best—including a complete line of offerings at exclusive everyday low prices and options for easy delivery.

## Features of our PROFOLIO program:

- Plywood construction available in Woodmark PRO®
- A guaranteed deliver-by date with Woodmark PRO XPRESS™
- Jobsite delivery
- Volume discounts available
- Best-in-class service

## Get Pro support.

[hdpro@woodmark.com](mailto:hdpro@woodmark.com)

[woodmarkcabinetry.com/PROS](http://woodmarkcabinetry.com/PROS)

Customer Care: 1-855-HDPRO44

[resources.woodmarkcabinetry.com/pro](http://resources.woodmarkcabinetry.com/pro)

# Inspirational Kitchens



Shaker Satin White RTF with Shaker Dove Gray RTF





# Inspirational Kitchens



Shaker Dove Gray RTF

# Inspirational Kitchens



Shaker Brindle



# Inspirational Kitchens



Shaker Java



# Inspirational Kitchens



Hampton Satin White RTF



# Inspirational Kitchens



Hampton Natural Hickory



# Inspirational Kitchens



Hampton Medium Oak

# Inspirational Kitchens



Edgeley White

# Inspirational Kitchens



Edgeley Glacier





# Inspirational Kitchens



Edgeley Driftwood



# Inspirational Kitchens



Edgeley Thunder

# Inspirational Kitchens



Elgin White

# Inspirational Kitchens



Elgin Heron Gray

# Inspirational Kitchens



Melvern White

# Inspirational Kitchens



Melvern Heron Gray



# Inspirational Kitchens



Melvorn Storm Gray with Soleste Spice

# Inspirational Kitchens



Soleste Spice



# Inspirational Kitchens



Savannah Painted Navy with Painted Harbor

# Inspirational Kitchens



Portola Maple Cognac with Painted Black

# Inspirational Kitchens



Westerly Painted Biscotti Glaze

# Inspirational Kitchens



Hanover Painted Black and Cherry Amber

# Inspirational Kitchens



Hanover Painted Sage and Painted Black with Duraform Drift

# Inspirational Kitchens



Shorebrook Painted Vanilla and Painted Navy

# Inspirational Kitchens



Reading DFO Painted Vanilla and Painted Mist with Maple Latte

# Inspirational Kitchens



Reading Maple Slate



# Inspirational Kitchens



Reading Painted Black with Duraform Drift

# Inspirational Kitchens



Leesburg Painted Boulder

# Inspirational Kitchens



Leesburg Duraform Espresso with Maple Cognac

# Inspirational Kitchens



Garner Painted Harbor with Maple Latte

# Inspirational Kitchens



Macarthur Maple Slate and Painted Harbor

# Inspirational Kitchens



Brookland Maple Latte with Painted Navy

# Inspirational Kitchens



Adelaide Painted Sage

# Inspirational Kitchens



Adelaide Maple Latte with Painted Vanilla and Painted Black



# Inspirational Kitchens



Glen Ellen Duraform Harbor with Duraform Espresso

# Inspirational Kitchens



San Mateo Painted Navy and Painted Vanilla with Maple Rye

# Inspirational Kitchens



San Mateo Duraform® Linen

# Inspirational Vanities



Shaker Brindle



# Inspirational Vanities



Edgeley Driftwood

# Inspirational Vanities



Elgin Heron Gray



# Inspirational Vanities



Soleste Spice



# Inspirational Vanities



Reading Maple Rye shown with 5-Piece Drawer Front



# Inspirational Vanities



Garner Maple Latte

# Inspirational Vanities



Reading Maple Latte



# Inspirational Vanities



Portola Painted Ember Glaze shown with 5-Piece Drawer Front

# Inspirational Vanities



Savannah Painted Ember Glaze

# Inspirational Vanities



Reading Painted Stone shown with 5-Piece Drawer Front

# Inspirational Vanities



Leesburg Painted Sage



# Inspirational Vanities



Brookland Duraform Espresso

# Inspirational Vanities



Garner Painted Navy





# Inspirational Spaces



Shaker Satin White RTF

# Inspirational Spaces



Shaker Dove Gray RTF

# Inspirational Spaces



Hampton Satin White RTF



# Inspirational Spaces



Edgeley White

# Inspirational Spaces



Edgeley Driftwood with Storm Gray

# Inspirational Spaces



Edgeley Thunder

# Inspirational Spaces



Melvorn Heron Gray

# Inspirational Spaces



Melvorn Heron Gray





# Inspirational Spaces



Reading Duraform Drift with Painted Black

# Inspirational Spaces



Shorebrook Painted Black

# Inspirational Spaces



Shorebrook Maple Truffle

# Inspirational Spaces



Adelaide Maple Latte with Painted Black



# Inspirational Spaces



Brookland Maple Latte



# Inspirational Spaces



Reading Painted Sage with Painted Linen

# Inspirational Spaces



Shorebrook Maple Latte with Painted Vanilla



# Inspirational Spaces



Garner Painted Linen



Garner Painted Linen



# Inspirational Spaces



Macarthur Cherry Java with Painted Ember Glaze

# Inspirational Spaces



# Inspirational Spaces



Hanover Painted Boulder with Maple Latte

# Inspirational Spaces



Garner Painted Navy